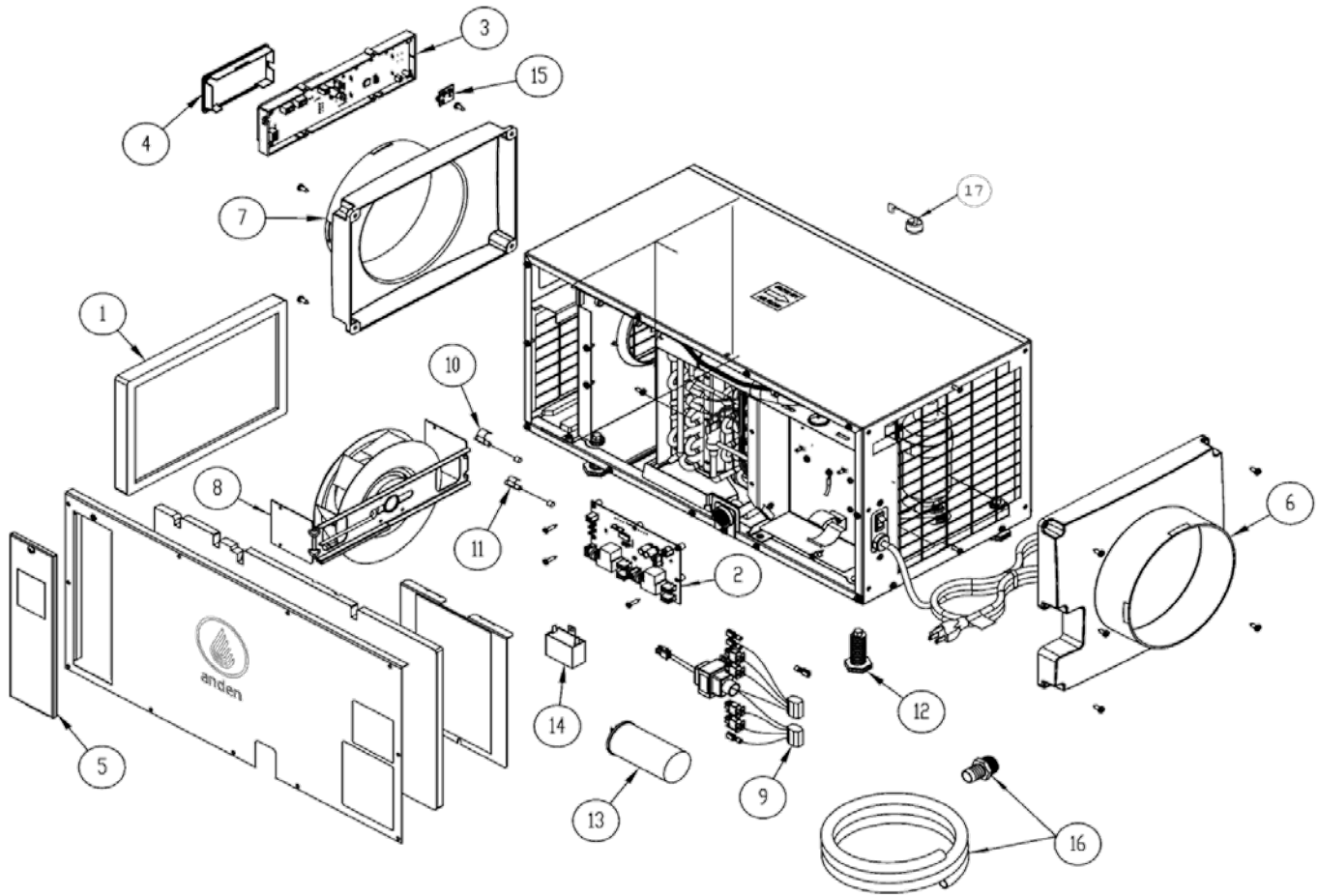


Anden® Model A70 Dehumidifier



No.	Part Description	Qty/Ctn	Part No.
1	Filter, MERV 8, Washable EZK	1	5695
	Filter, MERV 11, Disposable (6 Pack)	6	5772
2	Internal Control Board	1	5444
3	User Interface Assembly	1	5738
4	Wiring Access Door	1	5446
5	Door, Filter Access	1	5696
6	Outlet Duct Panel	1	5698
7	Inlet Duct Panel	1	5699
8	Fan with 6MFD Capacitor	1	5694
9	Wire Harness, Power	1	5454

No.	Part Description	Qty/Ctn	Part No.
10	Sensor, Low Temperature	1	5455
11	Sensor, High Temperature	1	5456
12	Leveling Foot	1	5457
13	Capacitor, 45MFD, 370VAC	1	5458
14	Capacitor, 6MFD, 250VAC	1	5582
15	RH Sensor	1	5460
16	Drain Tube + Fitting	1	5692
17	Compressor Overload Switch	1	5697
Other Parts			
	Digital Dehumidifier Control	1	A77
	Dehumidifier Hanging Kit	1	5660
	Low Profile Condensate Pump with 20' Condensate Hose	1	4856